

**IMPORTANT SAFETY INFORMATION**  
**READ ALL INSTRUCTIONS BEFORE USING**

# BigBearShelving.com

**⚠ WARNING** INTENDED FOR INDOOR USE ONLY ON WOOD STUDS. DO NOT USE OUTDOORS OR ON CONCRETE OR METAL STUDS. NOT RECOMMENDED FOR ATTICS OR AREAS WHERE TEMPERATURES MAY EXCEED 125 DEGREES. Exposure to outdoors or excessive heat may weaken plastic and cause brackets to fail.

**⚠ WARNING** MAXIMUM LOAD ON TOP SHELF IS 200 POUNDS AND MAXIMUM LOAD ON BOTTOM SHELF IS 50 POUNDS. Weight must be evenly distributed on each shelf. Overloading or failure to distribute weight evenly on shelves may cause brackets and shelves to fail and may result in personal injury from falling objects.

**⚠ WARNING** SCREWS USED FOR BRACKET INSTALLATION MUST NOT PIERCE ELECTRICAL WIRING, PLUMBING OR GAS LINES. Failure to install screws on wooden studs pursuant to manufacturer's instructions may lead to electrical shock from pierced electrical lines, fire or explosion hazard from pierced gas lines, or property damage from pierced water lines.

**⚠ CAUTION** Wear protective eyewear during installation to avoid injury from sawdust created during installation.

**⚠ CAUTION** Do not paint brackets. Paint may weaken plastic and cause brackets to fail.

FAILURE TO OBEY INSTALLATION INSTRUCTIONS AND WARNINGS CAN RESULT IN SERIOUS INJURY OR DEATH

**SAVE THESE INSTRUCTIONS**

**MATERIALS NEEDED FOR ASSEMBLY**

**HARDWARE CONTENTS (Enclosed)**

- Brackets (2 qty.)
- 5/16-3 1/2 in. lag bolts (4 qty.)
- 7/8 in. washers (4 qty.)
- 3 1/2 in. wood screws (3 qty.)
- 1 1/4 in. wood screws (10 qty.)

**LUMBER FOR ASSEMBLY (Sold Separately)**

Lumber (sold separately) needed for two shelf unit:  
*Note: The plywood can be cut by the purchaser but may also be cut to size by the lumber supplier.*

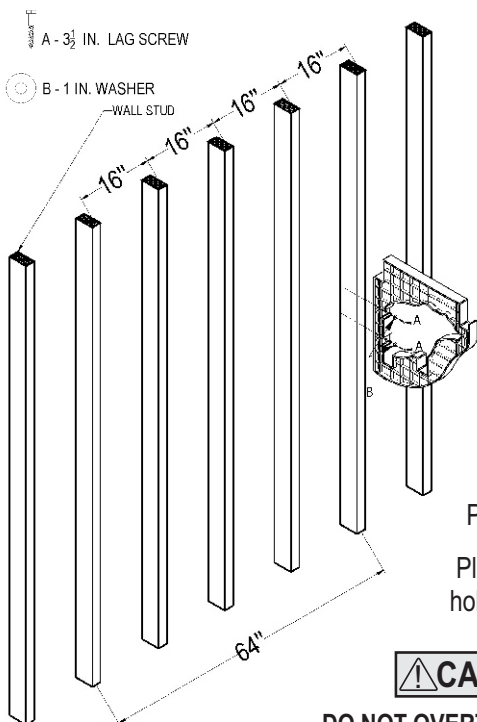
**TOOLS FOR ASSEMBLY (Sold Separately)**

Stud finder, level, pencil, tape measure, power drill, circular saw (unless timber already cut to size), 3/16 in. drill bit, 1/2 in. socket; or box end wrench, standard Phillips head drill driver.

- Upper Shelf
- (2) 2x4 wood boards eight feet in length
  - (1) 1/2 in. plywood (19 3/4 in. x 8 ft.)

- Bottom Shelf
- (1) 2x6 wood board eight feet in length
  - (1) 2x4 wood board eight feet in length
  - (1) 1/2 in. plywood (8 1/2 in. x 8 ft.)

**INSTALLATION INSTRUCTIONS: Before installation, inspect the Brackets. DO NOT use if there are any cracks or structural damage. DO NOT attempt to install unless all hardware is present.**



**STEP 1: Install First Bracket**

Locate wood studs.  
 Mark desired location of first bracket  
 16" from the end of the top shelf.

**Note: Second bracket will be installed on wood stud 64 in. from first bracket.**

Place first bracket at desired height. Mark top and bottom hole locations with lag bolt by tapping or pushing and twisting with fingers.

**Note: Make sure bracket is plumb before marking hole locations.**

Pre-drill top and bottom holes with 3/16 in. drill bit.

Place included lag bolt and washer in top and bottom holes, use a 1/2 in. socket, or box end wrench to install.



**DO NOT OVERTIGHTEN BOLTS.**

Over tightening may strip bolts or damage bracket and reduce load bearing capacity of shelf.

**STEP 2: Install Second Bracket**

Place second bracket at same height as first bracket on stud that is 64 in. from stud where first bracket was installed.

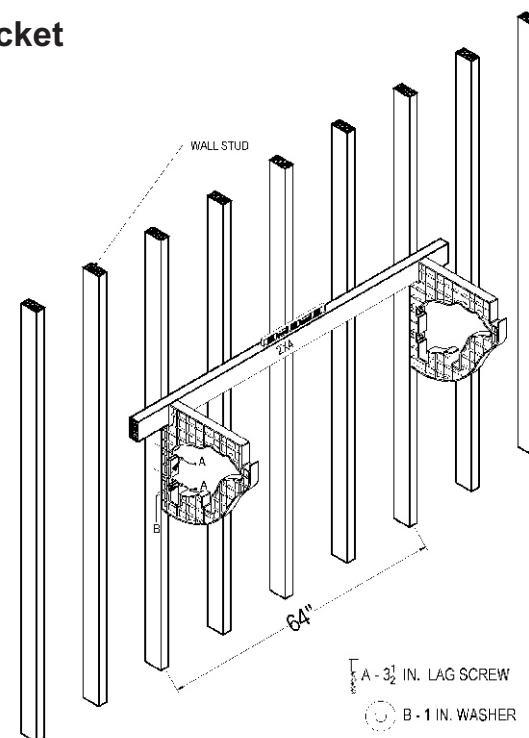
**Note: Use 2x4 and level to make sure second bracket is level to first bracket.**

Repeat procedure in Step 1 for installation of bracket.



**DO NOT PLACE BRACKETS MORE THAN 64 IN. APART.**

Increasing distance between brackets to more than 64 in. will make the shelving system unstable and may cause the shelves to fail.



### STEP 3: For Optional Lower Shelf Installation

Place 2x6 in lower back slot and 2x4 in lower front slot and center boards evenly between brackets.  
Secure plywood to boards with four included 1 ¼ in. screws.

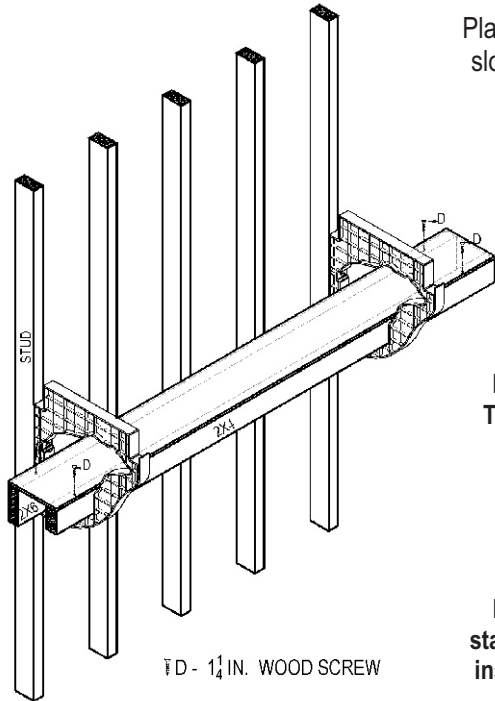
**Note: Screws should be placed between the outer edge of the bracket and the end of the board.**



**DO NOT ALLOW BOARDS TO EXTEND MORE THAN 19 IN. PAST THE END OF THE BRACKET.**



**DO NOT USE LOWER SHELF WITHOUT INSTALLING TOP SHELF.**  
Installation of top shelf is required to provide stability to entire unit. Use of bottom shelf without installing top shelf will make the shelving system unstable and may cause the shelves to fail.



### STEP 4: For Required Upper Shelf Installation

Place 2x4 in back slot and center evenly between brackets, with approximately 16" beyond each bracket.

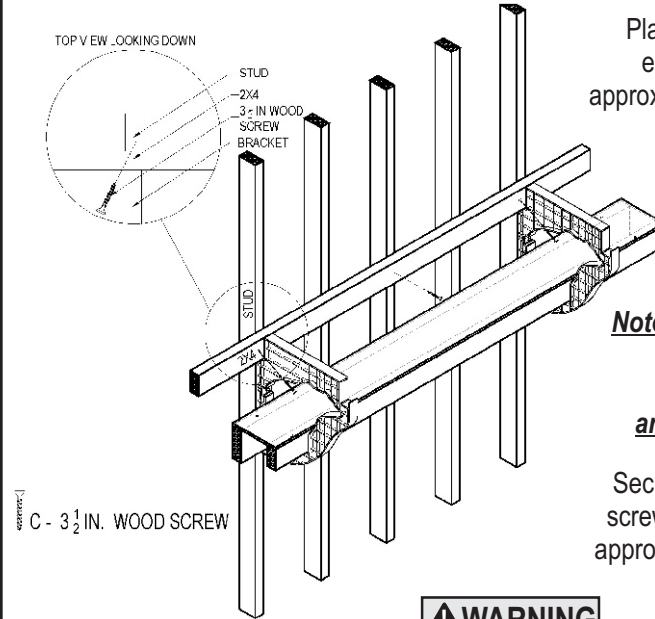
Secure 2x4 by screwing two 3 ½ in. screws into studs where brackets are located.

**Note: Screws should be adjacent to the brackets and installed at an angle to "lock down" the 2x4.**

Secure 2x4 by screwing one 3 ½ in. screw into middle stud that is located approximately 32 in. between brackets.



**UPPER SHELF 2 X4 MUST BE SECURED TO WALL STUDS WITH SCREWS INDEPENDENTLY FROM THE BRACKETS.**  
Failure to install three securing screws will make the shelving system unstable and may cause the shelves to fail.



### STEP 5: Required Upper Shelf Installation (continued)

Place 2x4 in front slot and center evenly between brackets.  
Secure plywood to boards with six included 1 ¼ in. screws.

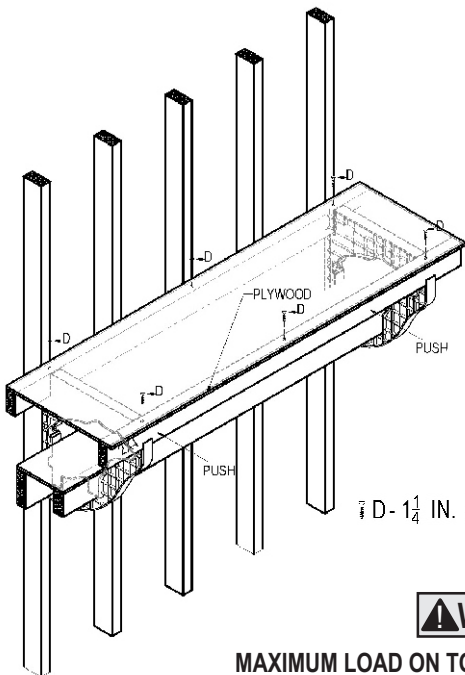
**Note: Screws should go into 2x4 not the brackets.**

**Note: Push 2x4 tight against bracket before screwing plywood down.**



**MAXIMUM LOAD ON TOP SHELF IS 200 POUNDS AND  
MAXIMUM LOAD ON BOTTOM SHELF IS 50 POUNDS.**

Weight must be evenly distributed on each shelf. Overloading or failure to distribute weight evenly may cause brackets and shelves to fail and may result in personal injury from falling objects.



### TWO YEAR LIMITED WARRANTY

For two years from the date of purchase, when the product is installed according to the instructions included with the product, Big Bear Shelving, LLC will replace defective products or parts if the part fails as a result of defective materials or workmanship.

### DISCLAIMER OF IMPLIED WARRANTIES AND LIMITATION OF REMEDIES

ANY IMPLIED WARRANTIES, OBLIGATIONS, OR LIABILITIES, INCLUDING BUT NOT LIMITED TO THE IMPLIED WARRANTY OF MERCHANTABILITY AND FITNESS FOR A PARTICULAR PURPOSE, SHALL BE LIMITED IN DURATION TO THE TWO YEAR DURATION OF THIS WRITTEN LIMITED WARRANTY. SOME STATES DO NOT ALLOW A LIMITATION ON HOW LONG AN IMPLIED WARRANTY LASTS, SO THE ABOVE LIMITATION MAY NOT APPLY TO YOU.

IN NO EVENT SHALL BIG BEAR SHELVING, LLC BE LIABLE FOR ANY SPECIAL, INCIDENTAL, OR CONSEQUENTIAL DAMAGES FOR BREACH OF THIS OR ANY OTHER WARRANTY, EXPRESS OR IMPLIED.

To obtain replacement parts pursuant to the warranty, please email us at [info@bigbearshelving.com](mailto:info@bigbearshelving.com) to obtain instructions on how to return the defective product and obtain a replacement.

**Keep this warranty page and your sales receipt together for future reference.**  
**You must provide proof of purchase for this warranty.**